



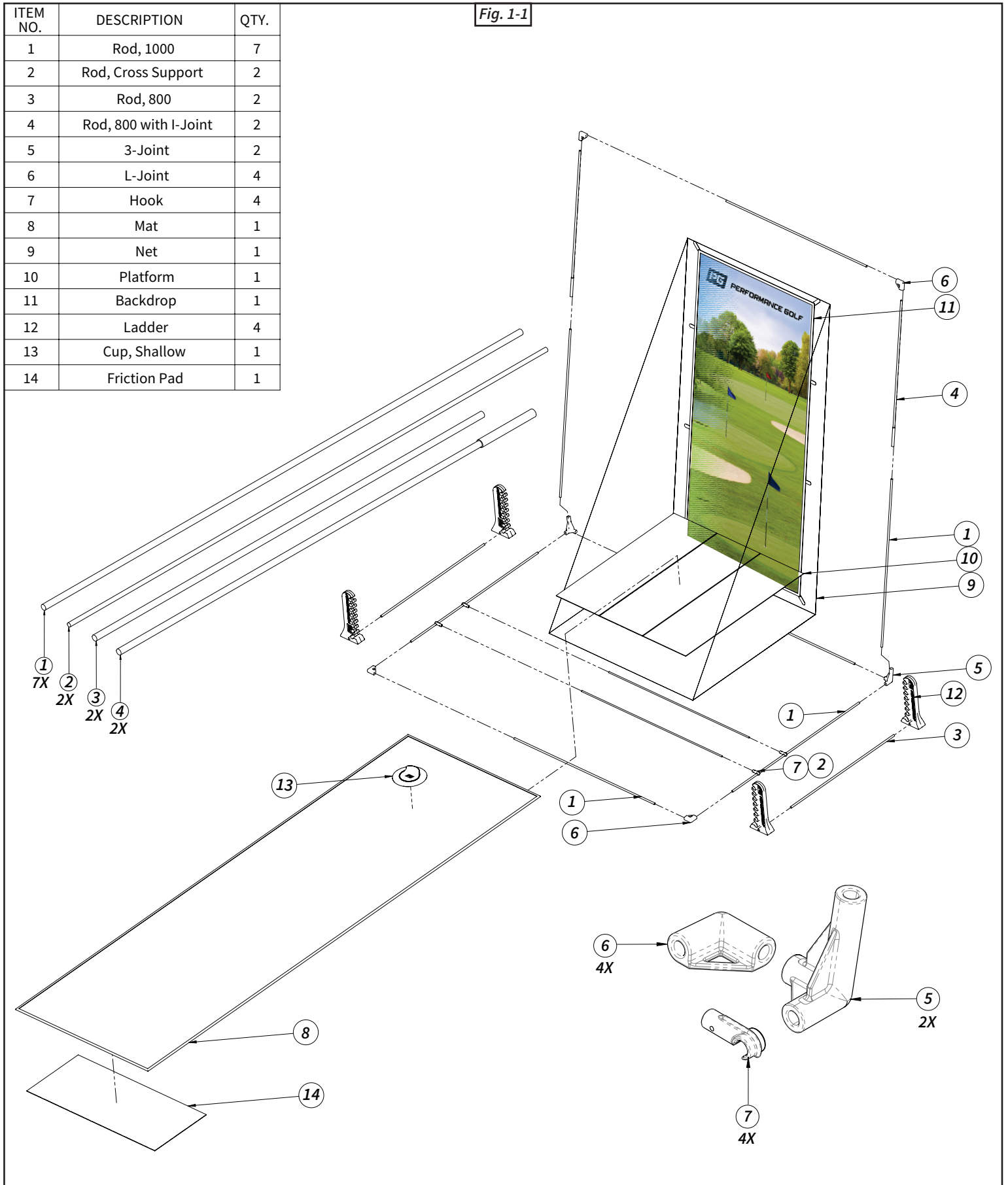
PERFORMANCE GOLF

PICTURE PERFECT CHIP AND PUTT

ASSEMBLY INSTRUCTIONS



1. Unpack the box and check the contents against the parts list. (Fig 1-1)



ASSEMBLY INSTRUCTIONS - NET

2. Unroll the mat and put it aside so that it starts to lay flat.

3. To build the net structure place the black vinyl net base on the floor with the net side up. (Fig. 2-3)

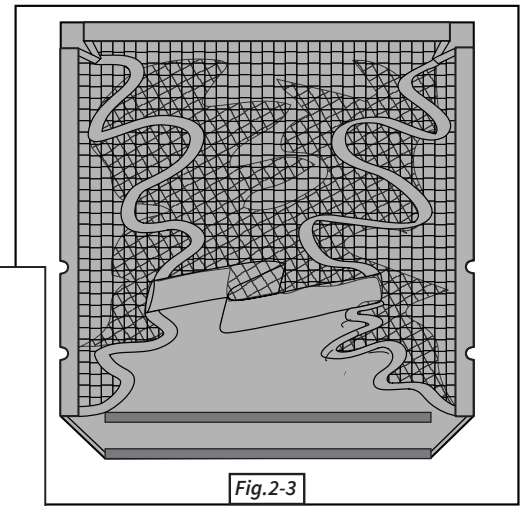


Fig.2-3

4. Note: the finished net structure is a vertical 3-sided cage. (Fig. 2-4)

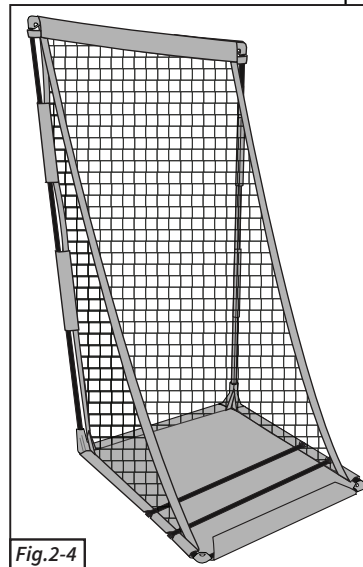


Fig.2-4

5. Insert three long rods into the back and side sleeves of the base, then add the two 3-way joints to each corner by inserting the rods in the corner holes. (Fig. 2-5)

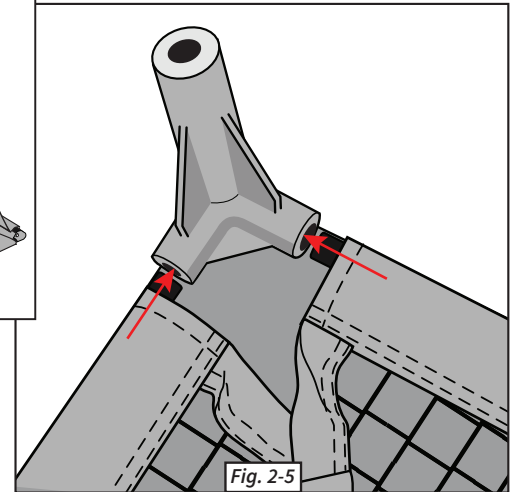


Fig. 2-5

A. Be sure to fully push the rods into the joints.

B. The net base will be taut when you install the joints.

6. Open the long velcro flap on the front side of the net and using a long rod and two L joints complete the base structure. (Fig. 2-6)

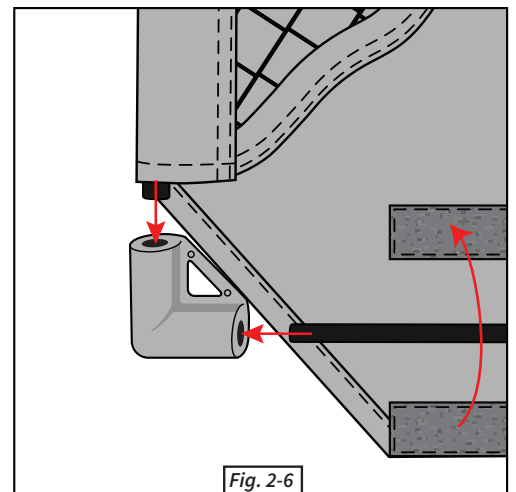


Fig. 2-6

A. Flex the rod as needed to insert it into the L joints.

B. Close the velcro flap to form the front rod sleeve.

7. Install the two thin rods as cross supports by first inserting the four hooks in the holes on each side of the net base with the hook facing up and the rod opening pushed through the net and facing the opposite side of the net base. (Fig. 2-7)

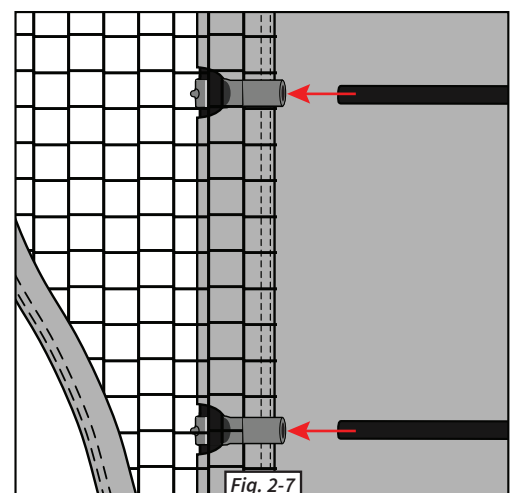
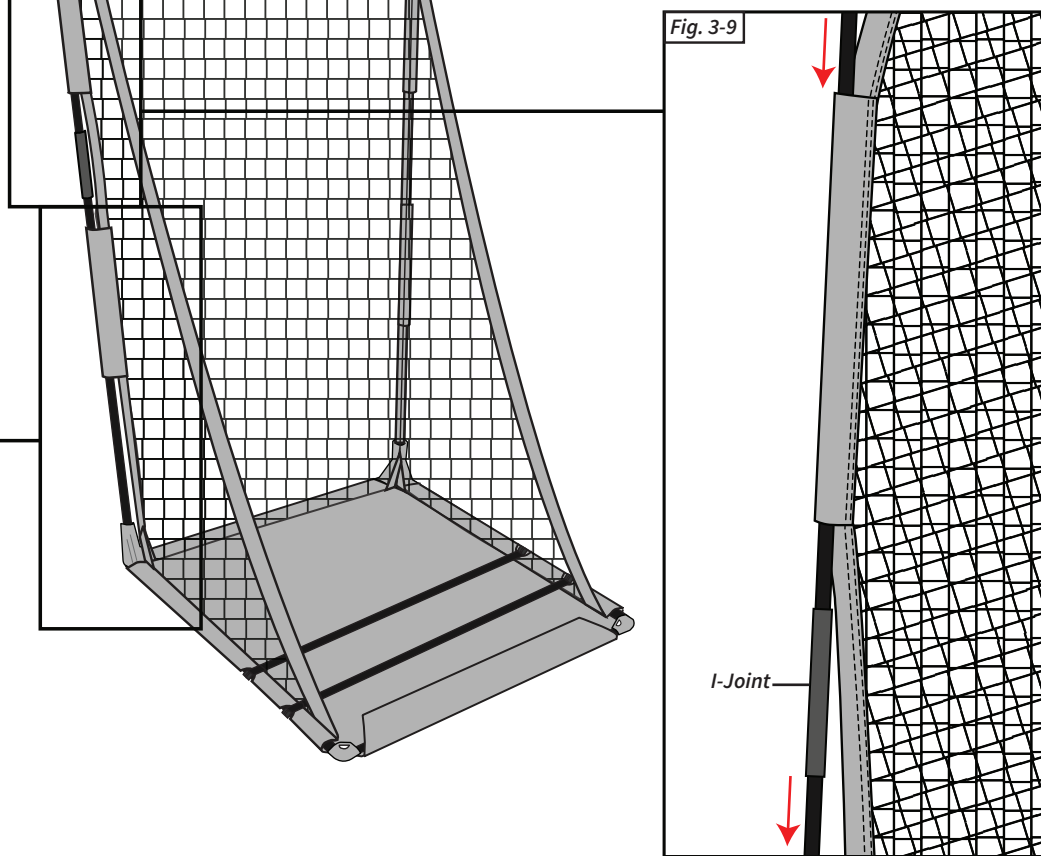
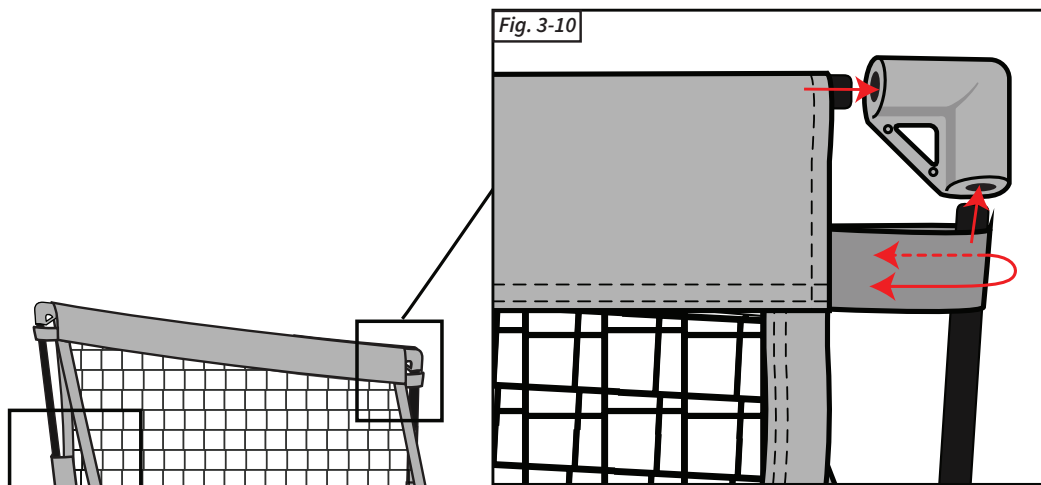
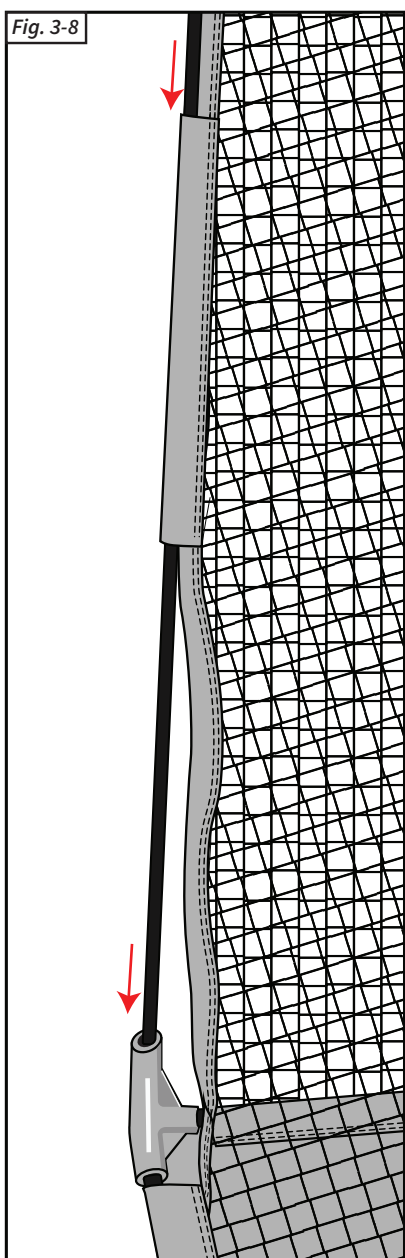


Fig. 2-7

A. Flex the rods as needed to fit into the openings.

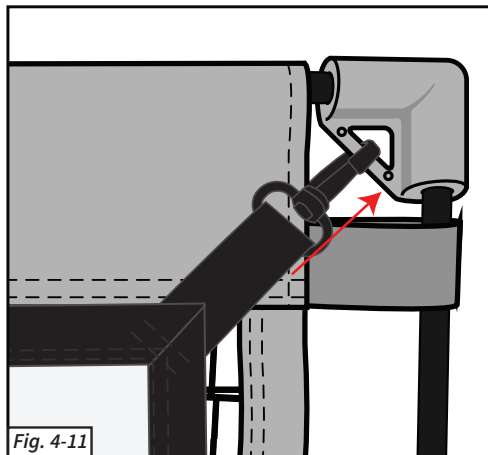
B. The support rods run across the top of the net base and through the net.

8. To build the vertical net structure insert two long rods down through each lower vertical sleeve on the back of the net and into the 3-joint. (Fig. 3-8)
9. Insert the two short rods with the attached i-joint facing down through each upper vertical sleeve of the net back and onto the top of the vertical long rods. (Fig. 3-9)
10. Pull the top of the netting up so that you can loop the elastic straps on each side of the net top over the short rods you just installed. (Fig. 3-10)
 - A. Then insert a long rod through the top horizontal sleeve across the top of the net and use the two remaining L-joints to connect the top horizontal rod to the two vertical side rods.

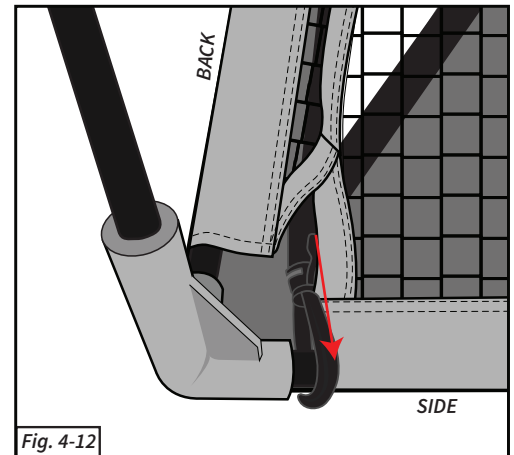


BACKDROP:

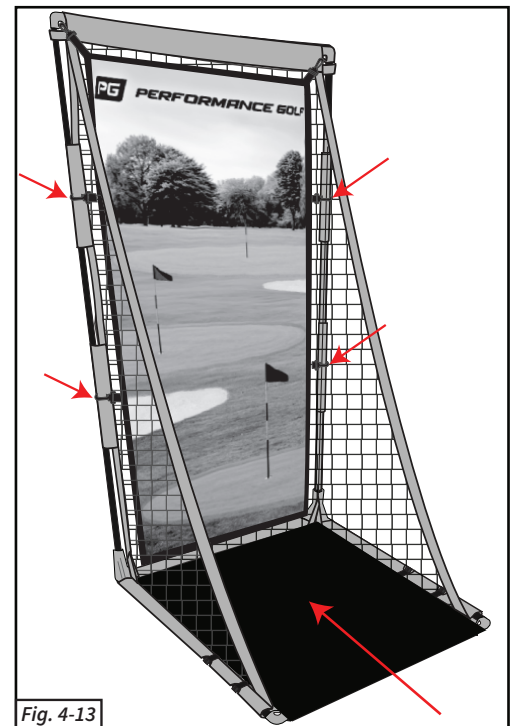
11. Hang the backdrop with the graphics facing out by securing the top corner hooks to the diagonal piece across the corner of the L-joints. (Fig. 4-11)



12. Next attach the bottom of the backdrop by pushing the bottom hooks through the openings in the bottom back corners of the net and clipping them to the side rods in the base structure. (Fig. 4-12)



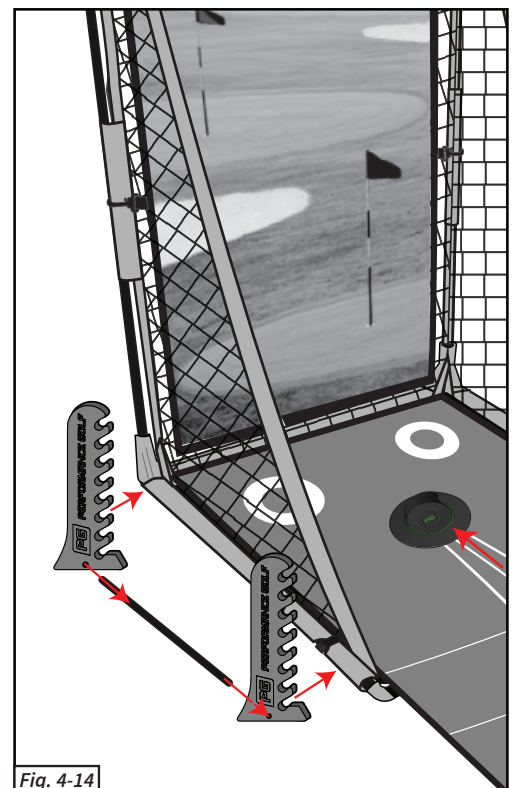
13. Attached the middle four clips of the backdrop by pushing them through the net and clipping them to the vertical support rods on top of sleeves.
(Fig. 4-13)
 - A. Then insert a long rod through the top horizontal sleeve across the top of the net and use the two remaining L-joints to connect the top horizontal rod to the two vertical side rods.



LADDERS:

14. Assemble the side ladders using short rod and two ladder pieces. (Fig. 4-14)

- A. The side ladders go alongside the net cage to add slope, break or increase the height of the plateau.
- B. We suggest you start by inserting the front sides of the net in the bottom rung of the front ladders, and the back sides of the net into the 3rd run up from the bottom. You can adjust the side ladders at any time as desired.
- C. Lay the mat into the net so that the back edge and back corners are aligned to back edge and corners of the net base.
- D. Place the cup into the center white circular target to start. You can adjust cup location at any time as desired.
- E. If you set up PPCP on a hard surface like a concrete or wooden floor, we recommend using the cushioned hitting pad underneath the lined hitting area of the mat.



Enjoy your new Picture Perfect Chip & Putt short game kit!